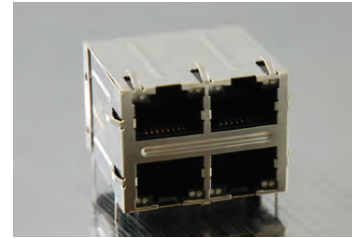




Stacked 2 x 2 RJ45 CONNECTOR WITH INTEGRATED MAGNETICS

- 10/100/1000 Base-T Ethernet Application
- Meets IEEE 802.3 & ANSI X 3.263 standards
- Impedance: 100OHMS
- Transmit open circuit inductance
- Always EU RoHS/ELV Compliant, wave solder capable to 265°C
- RJ45 jack cavity conforms to FCC rules and regulations Part 68, SUB Part F
- Operating Temperature: -40°C to +85°C



Electrical Specifications @ 25°C					
Part Number	OCL(uH Min) @ 100kHz, 0.1V	Turns Ratio chip: cable (±3%)	Insertion Loss (dB Max)	Return Loss (dB Min)	
	With 8mA DC Bias		0.5-100MHz	0.5-40MHz	40.1-100MHz
ARB537-014501I	350	1CT:1CT	1.1	18	12-20*log(f/80)

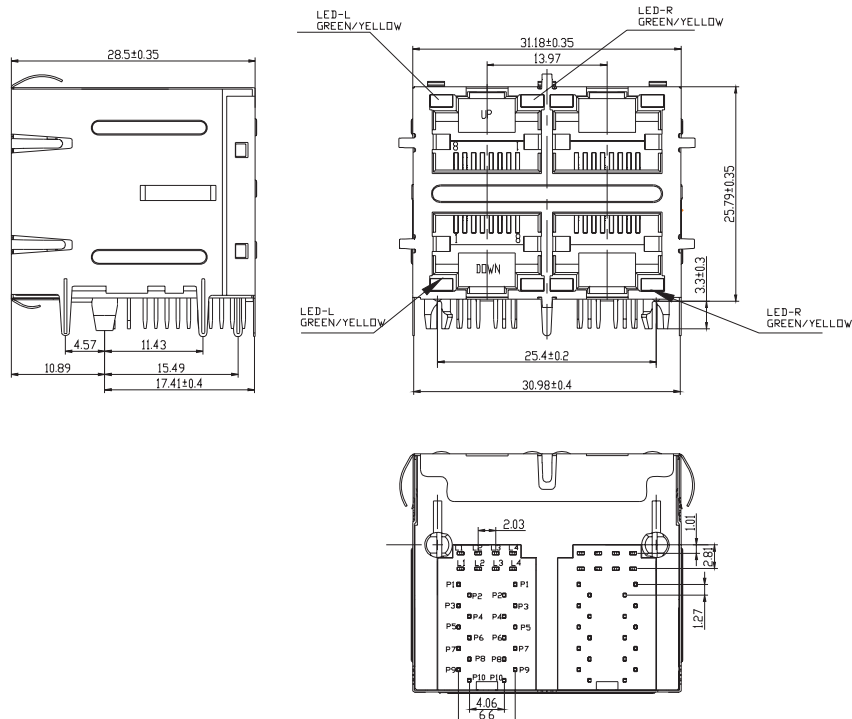
Electrical Specifications @ 25°C						
Part Number	EMI Fingers	LED (L/R)	Cross Talk (dB Min)		CMRR (dB Min) 0.5-100MHz	HI-POT (VDC)
			0.5-40MHz	40.1-100MHz		
ARB537-014501I	YES	G-Y/G-Y	35	33-20*log(f/50)	30	1500

All specifications subject to change without notice.

MECHANICAL

Unless otherwise specified all tolerances are: ±0.25 in mm

ARB537-014501I

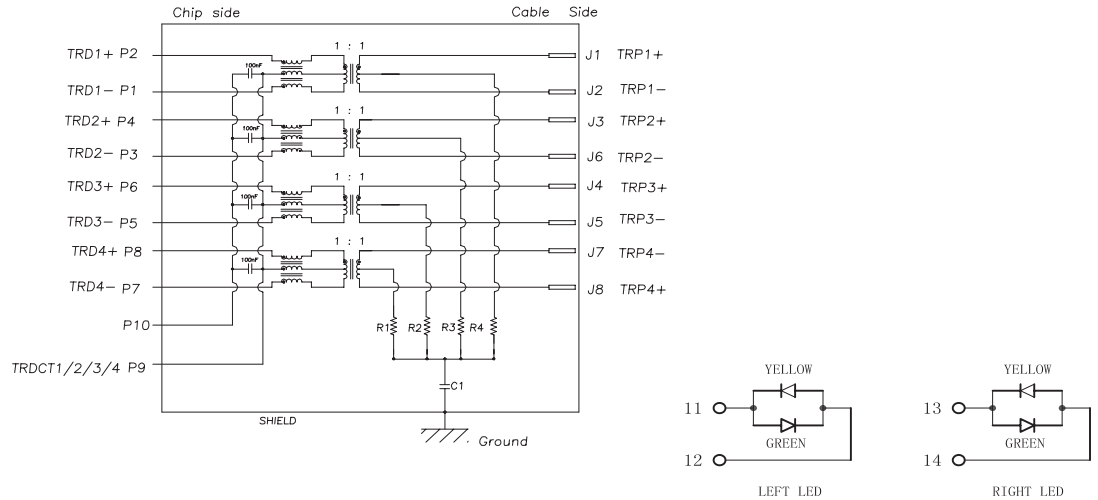




Stacked 2 x 2 RJ45 CONNECTOR WITH INTEGRATED MAGNETICS

SCHEMATICS

ARB537-014501I



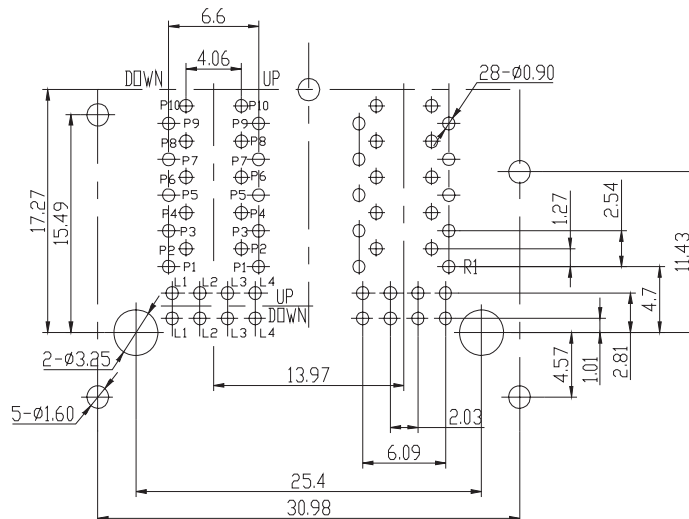
Notes:

1. R1-R4=75OHMS, 1/16W, 5% Resistors.
2. C1=1000pF, 2KV Decoupling Capacitor.
3. LED Compliant With IEC60825-1 Safety of Laser Products When operated Up to 20mA.
4. LED Forward Voltage: 2.1V(TYP). LED Power Dissipation: 105mW. LED Peak Wavelength: Green=565nm, Yellow=585nm.

PCB LAYOUT

ARB537-014501I

Unless otherwise specified all tolerances are: ±0.05 in mm



MATERIALS

ARB537-014501I

- **Housing:** PBT, Flammability Rating 94V-O.
- **Shell:** C2680 Brass, 0.2mm thick, 50u" Min nickel plating.
- **Mod Jack Contacts:** Phosphor Bronze, 50u" Gold plated.
- **LED:** Diffused Epoxy Lens, 0.5x0.5mm Carbon Steel wireframe leads.